

Genie® TZ™ -34/20 & TZ-50

Specifications

| Models | TZ-34/20 | | TZ-50 | |
|--------------------------------------|--------------|---------|-------------|---------|
| Measurements | US | METRIC | US | METRIC |
| Working height max. - ⁽¹⁾ | 40 ft | 12.19 m | 55 ft 6 in | 16.92 m |
| Platform height | 34 ft | 10.36 m | 49 ft 6 in | 15.09 m |
| Entry height- extended | 6.4 in | 0.16 m | 1 ft 8 in | 0.51 m |
| Horizontal reach | 18 ft 4 in | 5.59 m | 29 ft 2 in | 8.89 m |
| Clear out reach | 13 ft 5 in | 4.09 m | 23 ft 1 in | 7.04 m |
| Up-and-over clearance | 16 ft 1 in | 4.90 m | 22 ft | 6.71 m |
| A Platform length | 2 ft 2.8 in | 0.68 m | 2 ft 2.8 in | 0.68 m |
| B Platform width | 3 ft 8 in | 1.12 m | 3 ft 8 in | 1.12 m |
| C Height - stowed | 6 ft 4.5 in | 1.94 m | 6 ft 10 in | 2.08 m |
| D Length- stowed | 18 ft 0.5 in | 5.50 m | 23 ft 6 in | 7.16 m |
| E Width- stowed | 4 ft 9.1 in | 1.45 m | 5 ft 6 in | 1.68 m |
| F Ground clearance | 9.5 in | 0.24 m | 10 in | 0.25 m |
| G Length-outrigger footprint | 10 ft 8.4 in | 3.26 m | 14 ft 4 in | 4.37 m |
| H Width-outrigger footprint | 11 ft 9.4 in | 3.59 m | 14 ft 4 in | 4.37 m |

Productivity

| | | | | |
|---|---------------|---------|---------------|---------|
| Lift capacity (ANSI, CSA) - standard | 500 lb | 227 kg | 500 lb | 227 kg |
| Lift capacity (ANSI, CSA) - rotating platform | 460 lb | 209 lb | 500 lb | 227 kg |
| Lift capacity (CE/AUS) - standard | 440 lb | 200 kg | 440 lb | 200 kg |
| Lift capacity (CE/AUS) - rotating platform | 400 lb | 181 kg | 440 lb | 200 kg |
| Platform rotation - mechanical | 90° | | - | |
| Platform rotation - hydraulic | - | | 160° | |
| Turntable rotation | 359° | 359° | 359° | 359° |
| Outrigger leveling capability | 11° | | 11° | |
| Towing speed rate | 60 mph | 97 km/h | 60 mph | 97 km/h |
| Tongue weight - ANSI, CSA | 315 lb | 143 kg | 400 lb | 181 kg |
| Tongue weight - CE | 163 lb | 74 kg | 220 lb | 100 kg |
| Tire size - ANSI, CSA | ST 205/75 R15 | | ST 225/75 R15 | |
| Tire size - CE | 185R-14C | | 215 R14C | |

Power

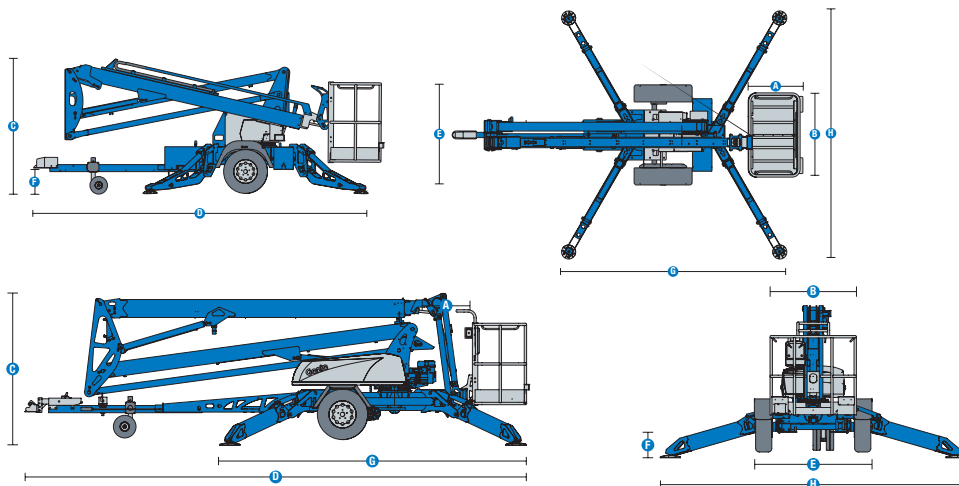
| | | | | |
|---------------------------|------------------|-----|------------------|-----|
| Power source- standard | 24V (4x6V 225Ah) | | 24V (4x6V 225Ah) | |
| Hydraulic tank capacity | 2.65 gal | 10L | 4.75 gal | 18L |
| Hydraulic system capacity | 4.5 gal | 17L | 8.0 gal | 30L |

Weight⁽³⁾

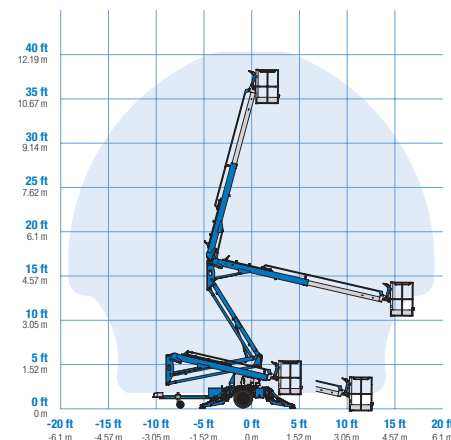
| | | | | |
|------------------------------|----------|----------|----------|----------|
| Weight- ANSI, CSA, Australia | 3,155 lb | 1,431 kg | 4,400 lb | 1,996 kg |
| Weight- CE | 3,170 lb | 1,438 kg | 4,475 lb | 2,030 kg |

Sound and Vibration Levels

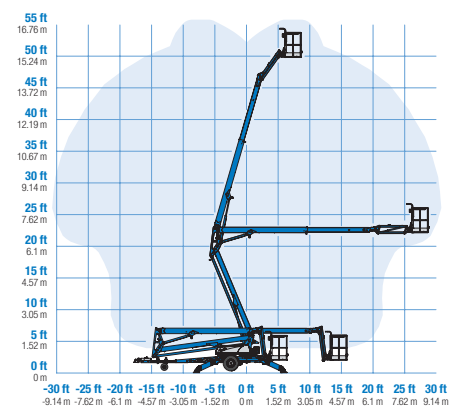
| | | |
|---|------------------------|------------------------|
| Sound Pressure level (ground workstation) | < 70 dBA | < 70 dBA |
| Sound Pressure level (platform workstation) | < 70 dBA | < 70 dBA |
| Vibrations | < 2.5 m/s ² | < 2.5 m/s ² |



Range of motion TZ-34/20



Range of motion TZ-50



Genie® TZ™ -34/20 & TZ-50

SKU: Standard Model

- **TZ340001AD0001:** TZ-34 DC
- **TZ500001AD0002:** TZ-50 DC
- **TZ500001AD0001:** TZ-50 DC, Hybrid

* Build to Order

| Option availability | S | S+ | BtO |
|---|---|----|-----|
| Power | | | |
| Standard battery | ✓ | ✓ | ✓ |
| High capacity battery | | ○ | ○ |
| Bi-Energy, Honda Gas | ✓ | ✓ | ✓ |
| Battery charge indicator (BCI) | | ○ | ○ |
| 24V DC Power | ✓ | ✓ | ✓ |
| Platform | | | |
| Horn | | ○ | ○ |
| AC wiring to platform | ✓ | ✓ | ✓ |
| Aluminum 26.8in x 44in platform | ✓ | ✓ | ✓ |
| Hydraulic platform rotation 160 degrees (TZ-50) | | | ○ |
| Manual platform rotation 90 degrees (TZ-34) | | | ○ |
| Tilt alarm sensor | ✓ | ✓ | ✓ |
| Variable speed control system | ✓ | ✓ | ✓ |
| Chassis | | | |
| Lift Connect Telematics | | ○ | ○ |
| Lift Connect with Access Manager upgrade | | ○ | ○ |
| 2 in Ball Bulldog coupler | | ○ | ○ |
| Combination hitch with choice of coupler | ✓ | ✓ | ✓ |
| 2 in Ball Leverlock coupler | ✓ | ✓ | ✓ |
| 2 5/16 in Ball Leverlock coupler | | ○ | ○ |
| Clevis coupler | | ○ | ○ |
| I.D. pintle ring coupler 2 1/2 in | | ○ | ○ |
| Drive and set option | | | ○ |
| Flashing beacon | | ○ | ○ |
| Non-marking outrigger foot pads | | ○ | ○ |
| Spare tire | | ○ | ○ |
| 10in solid plastic wheel | ✓ | ✓ | ✓ |
| 355 degree non-continuous rotation | ✓ | ✓ | ✓ |
| Automatic 11 degree leveling system | ✓ | ✓ | ✓ |
| Auxiliary platform descent | ✓ | ✓ | ✓ |
| Highway safety chains with snap lock | ✓ | ✓ | ✓ |
| Hour meter | ✓ | ✓ | ✓ |
| Hydraulic outriggers | ✓ | ✓ | ✓ |
| Hydraulic surge brakes | ✓ | ✓ | ✓ |
| Illuminated outrigger indicators | ✓ | ✓ | ✓ |
| LED brake light | ✓ | ✓ | ✓ |
| Mechanical parking brake | ✓ | ✓ | ✓ |
| Outrigger interlocks | ✓ | ✓ | ✓ |

Drive and set option available for TZ-50 only

- S Standard
- S+ Standard +
- BtO Build to Order
- ✓ Standard Features
- Options



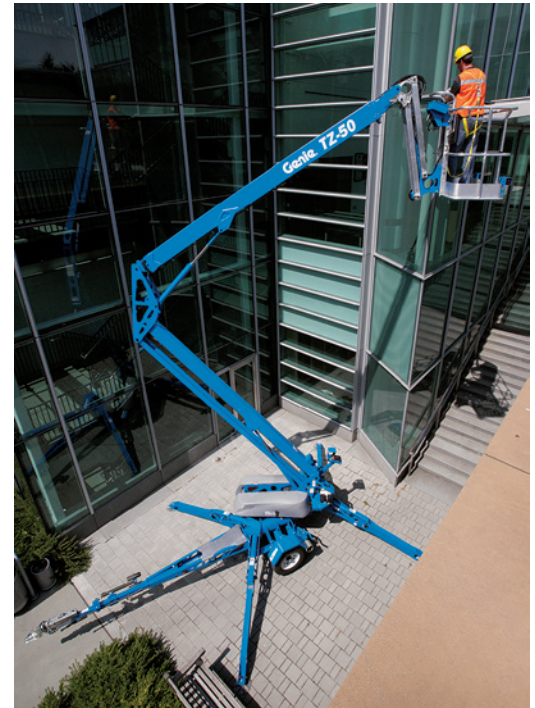
Truck Towable



Quick Setup



Low Floor Loading



Genie Genuine Accessories⁽¹⁾

- Ball coupler 2 5/16 in
- Clevis coupler
- Dual 10in air-filled tires (TZ-34/20 only)
- I.D. pintle ring coupler 2 1/2 in

(1) More accessories available from Genie Genuine Parts.

Product specifications are subject to change without notice or obligation. Photographs and/or drawings herein are for illustrative purposes only. Refer to the appropriate Operator's Manual for instructions on proper equipment use. Failure to follow instructions in the Operator's Manual may result in serious injury or death. The only warranty applicable to our equipment is the standard written warranty applicable to the particular product and sale and we make no other warranty, express or implied. Products and services listed may be trademarks, service marks or trade names of Terex Corporation and/or their subsidiaries in the USA and many other countries. Terex, Genie, Quality By Design, Xtra Capacity, Lift Power, Lift Guard, Lift Tools, Lift Connect and Tech Pro Link are registered trademarks of Terex Corporation or its subsidiaries.